

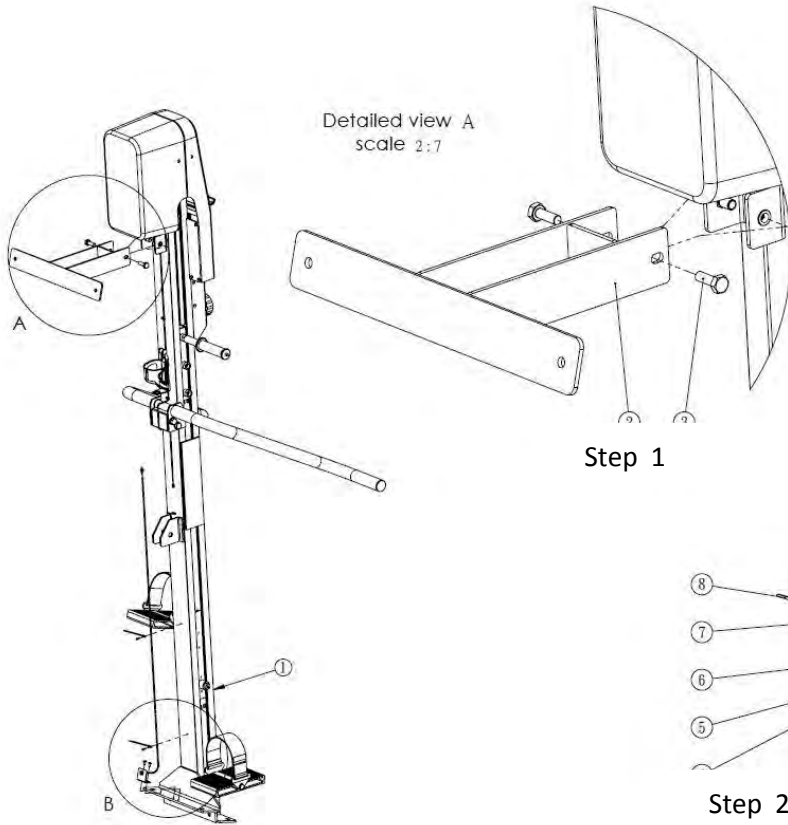
# ASSEMBLY INSTRUCTION FOR WALL BRACKET KIT

Helpful hint: organize the items from the box prior to starting assembly to ensure quick and smooth assembly

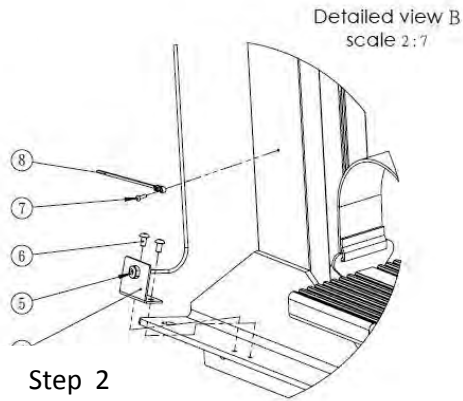
Assemble wall bracket kit of Climber per below diagram

- Step 1: Attach bracket to Climber
- Step 2: Attach L plate to Climber
- Step 3: Attach fixed Climber to the wall
- Step 4: Attach fixed Climber to the floor

Item No.	Part No.	Description	Qty
1	505-3-1700-00098	Rail set	1
2	505-4-9500-00098	Wall Bracket	1
3	653-1-0100-365	Hexagon head bolt, M10x1.5x30L	2
4	505-6-9505-00098	L Plate, wire plug	1
5	505-6-2011-001	wire	1
6	659-1-0050-18	Hexagon headed bolt, M5x0.8x10L	2
7	659-1-0030-066	Hexagon headed bolt, M3x0.5x10L	2
8	601-7-0025-001	Strap.	2



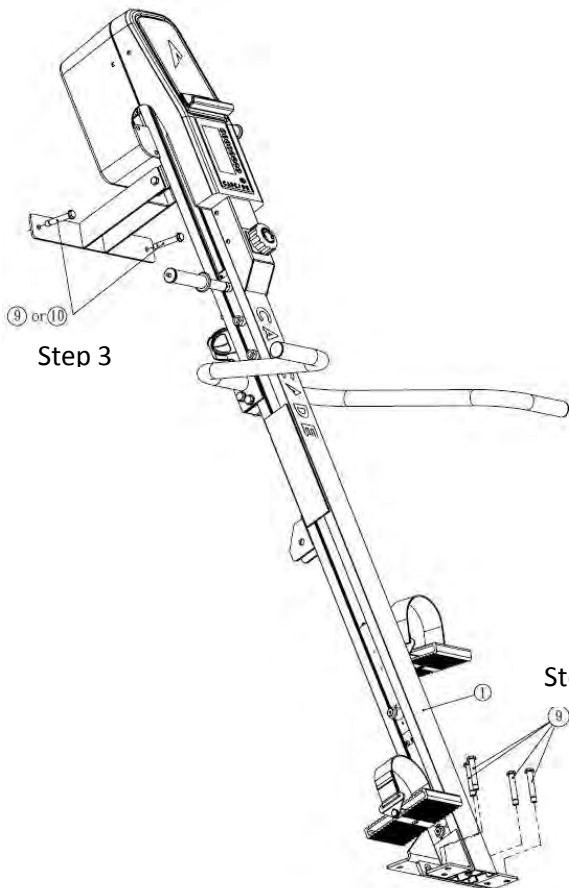
Step 1



Step 2

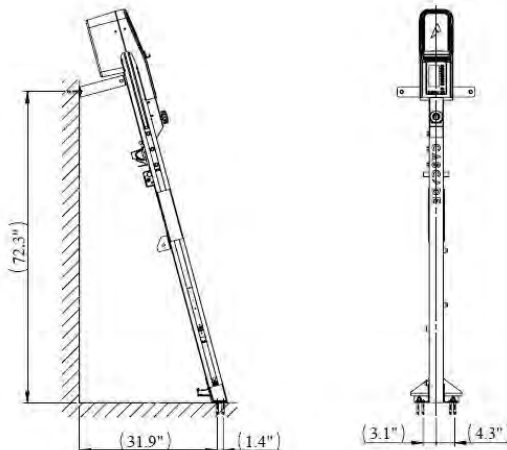
50500-00  
Climber

Item No.	Part No.	Description	Qty
1	505-3-1700-00098	Rail set	1
9	666-1-0100-001	expansion bolt	6
10	624-1-0950-01	Lag bolts	2



Step 3

Step 4



50500-00  
Climber